



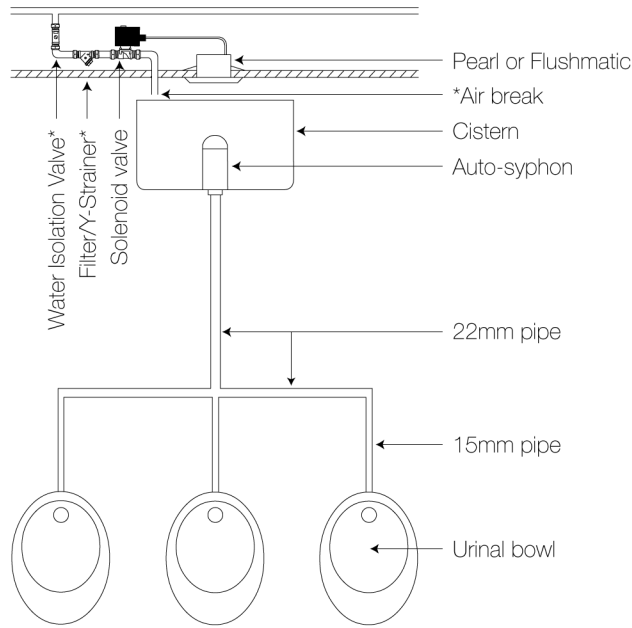
# Urinal Controls

Typical Installations

Not to scale

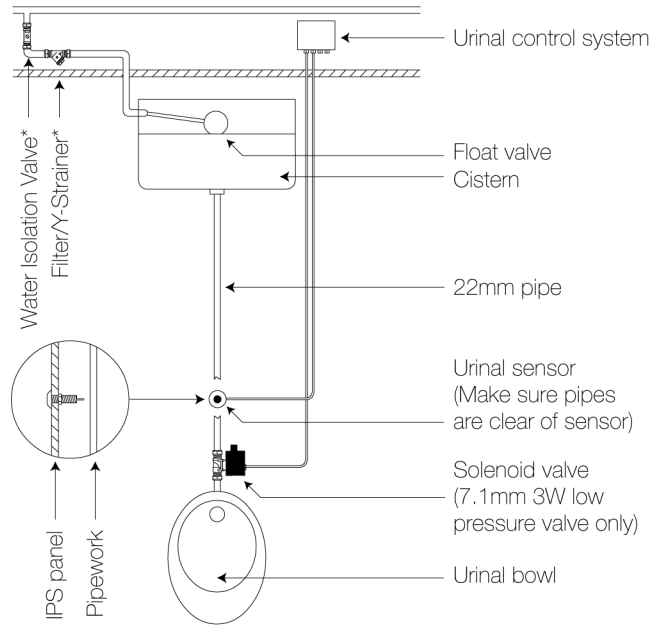
## Standard Setup for Urinal Flushing - Using cistern

Multiple bowl setup - Pearl or Flushmatic



Single bowl setup - Urinal Control System

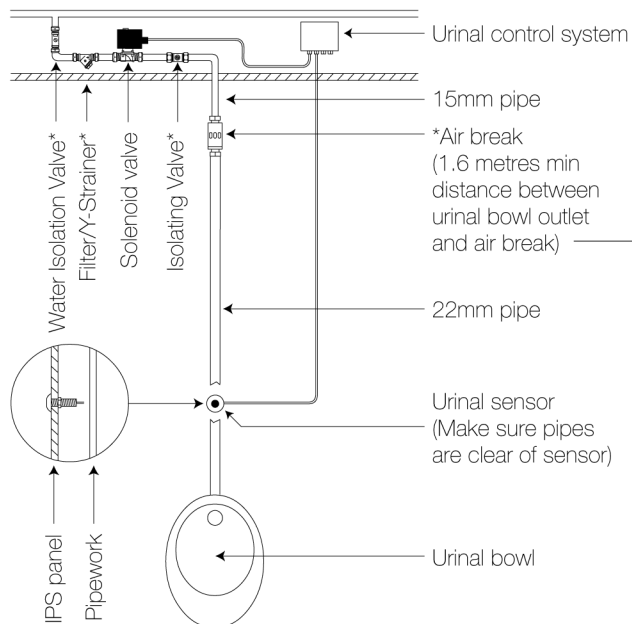
Low pressure setup (requires D107/2/U/1STN/LP kit)



## Direct Urinal Flushing Setup - Using mains water

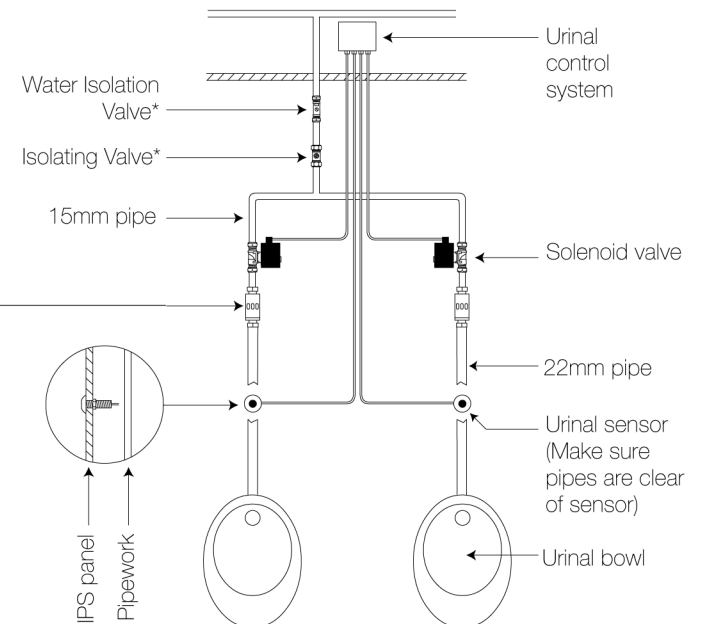
Single bowl setup - Urinal Control System

Note: Not all installations suit direct flushing. Seek advice or refer to website for further info.



Multiple bowl setup - Urinal Control System

Note: Not all installations suit direct flushing. Seek advice or refer to website for further info.



\*Not supplied. Can be ordered separately from DVS.