



INFRARED TAPS



D670/M/32
Aquarius A32 infrared mixer tap



D670/M/45
Aquarius A45 infrared mixer tap



D670/M/45/DOCM
Aquarius Doc M infrared mixer tap



D010
Classic infrared mixer tap, available in chrome, satin, rosa & black finishes



D615/SCRUB/200
Aquarius wall mounted infrared taps - for both general & surgeons scrub areas



D670/M/HN
Aquarius high neck infrared tap



D670/M/HN/SV
Aquarius high neck (short version) infrared tap



D670/M/PILLAR
Aquarius infrared pillar tap



D670/M/PILLAR/SV
Aquarius infrared pillar tap (short version)

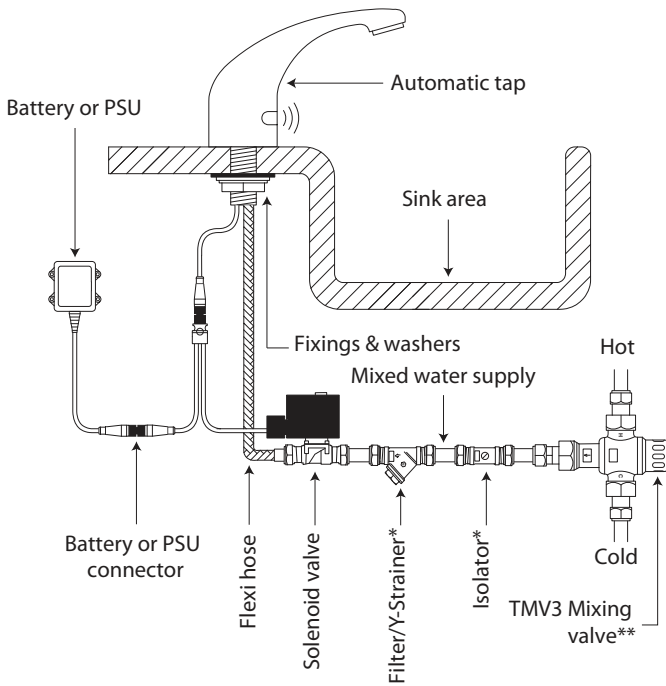


Automatic Taps

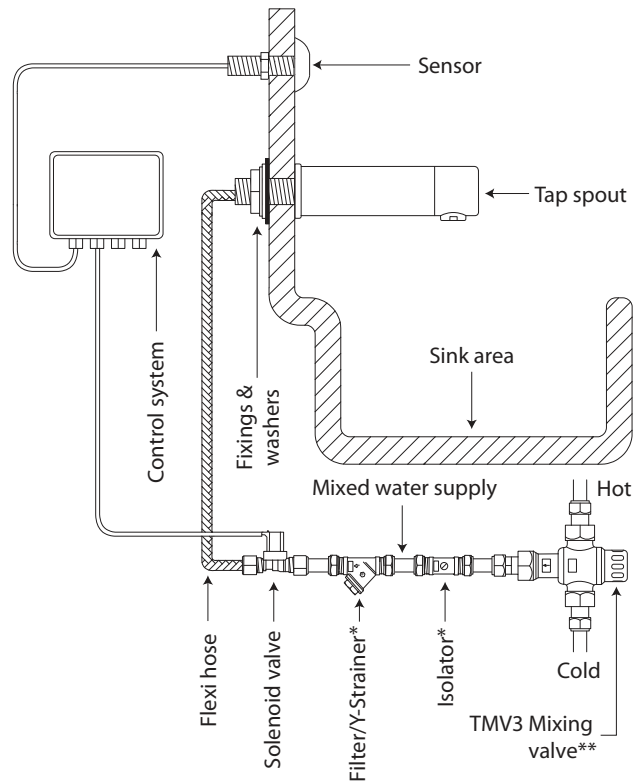
Typical Installations

Not to scale

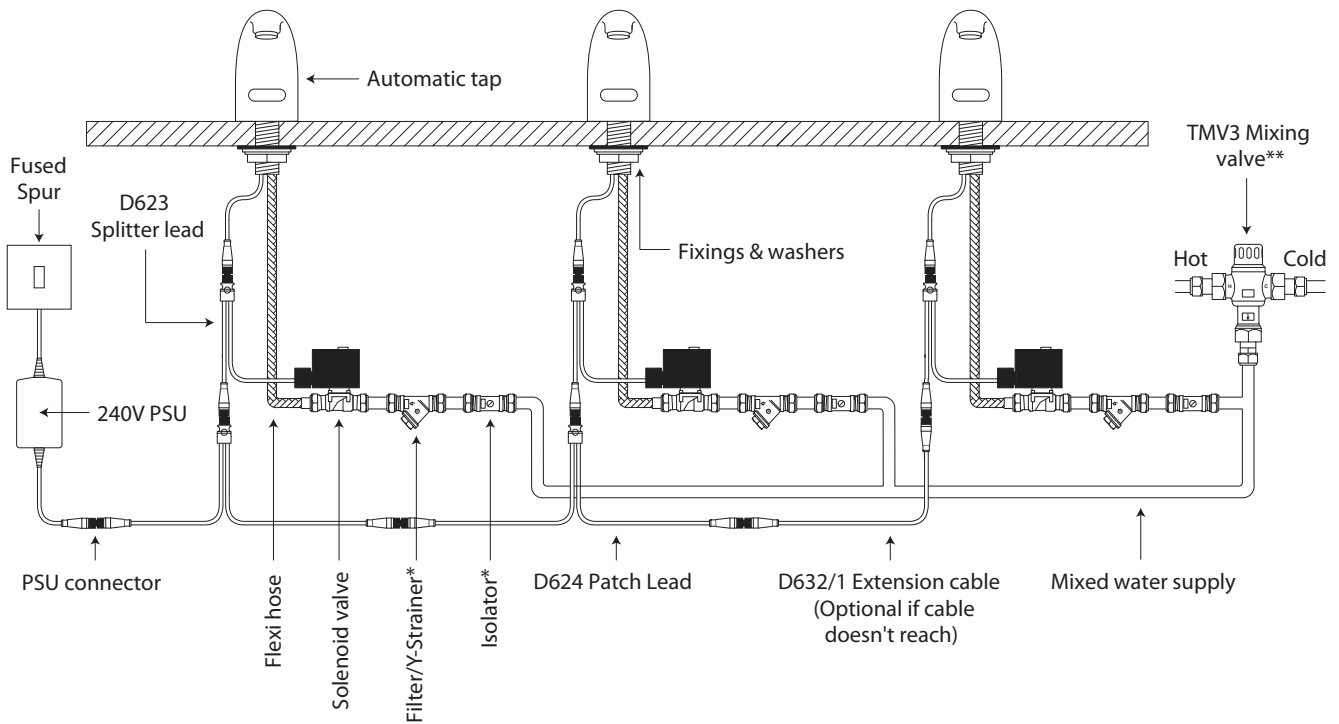
Standard Setup - Automatic Taps



Standard Setup - Tap Control System



Multiple Installations - Automatic Taps



*Not supplied. Can be ordered separately.

**Not supplied. Required for warm water output and to comply with new building regulations. Can be ordered separately.

Pressure Notes: All automatic taps come standard with a 12.7mm solenoid valve which requires 0.5 BAR to operate. Lower pressure valves can be provided if necessary, but please specify on order.

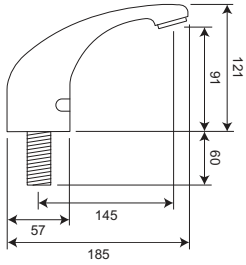


Automatic Taps

Dimensions

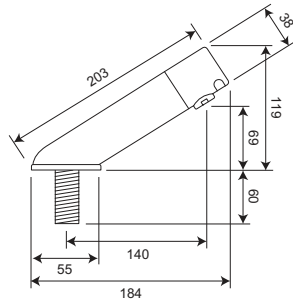
Not to scale

Automatic Taps



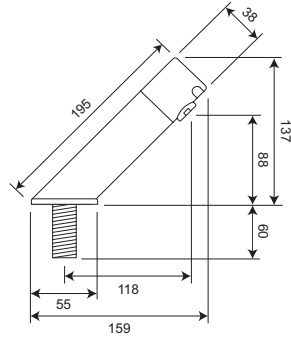
D004
Classic tap

Fixing: 3/4" BSP
(28mmø clearance drill hole)



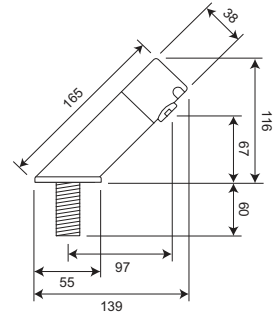
D670/32
Aquarius A32 tap

Fixing: 3/4" BSP
(28mmø clearance drill hole)



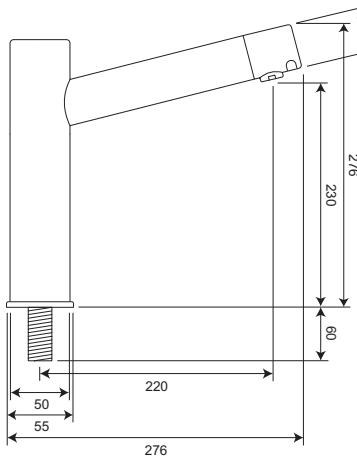
D670/45
Aquarius A45 tap

Fixing: 3/4" BSP
(28mmø clearance drill hole)



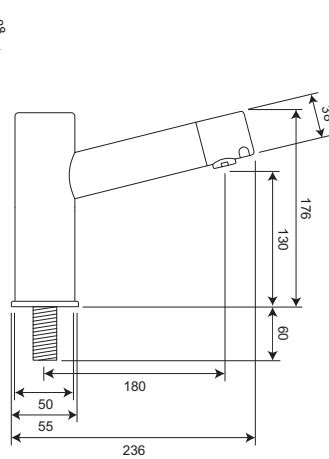
D670/45/DOC.M
Aquarius A45 DOC.M tap

Fixing: 3/4" BSP
(28mmø clearance drill hole)



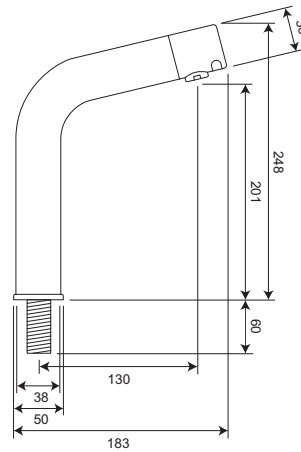
D670/PILLAR
Aquarius Pillar tap

Fixing: 3/4" BSP
(28mmø clearance drill hole)



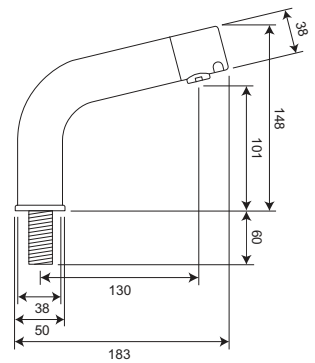
D670/PILLAR/SV
Aquarius Pillar SV tap

Fixing: 3/4" BSP
(28mmø clearance drill hole)



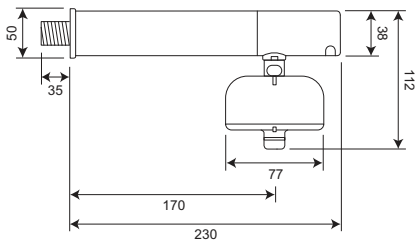
D670/HHN
Aquarius High Neck tap

Fixing: 3/4" BSP
(28mmø clearance drill hole)



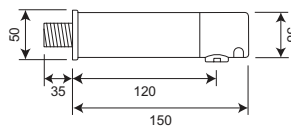
D670/HHN/SV
Aquarius High Neck SV tap

Fixing: 3/4" BSP
(28mmø clearance drill hole)



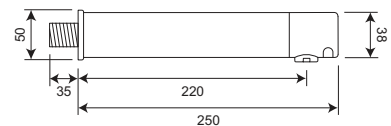
D606/FLTR
Aquarius WM filter tap

Fixing: 3/4" BSP
(28mmø clearance drill hole)



D606/S
Aquarius WM Straight tap

Fixing: 3/4" BSP
(28mmø clearance drill hole)



D606/SCRUB
Surgeons scrub-up tap

Fixing: 3/4" BSP
(28mmø clearance drill hole)