

**Surface mounted stainless steel AISI 304 satin finish**

Código: **DT0106CS**

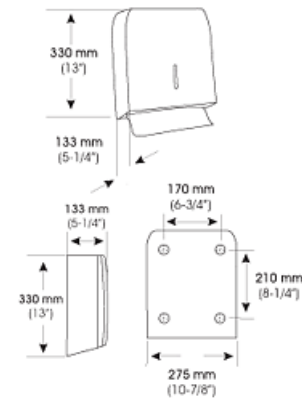
**General description**

- Paper towel dispenser, surface mounted, stainless steel AISI 304 satin finish.
- Manual dispenser.
- Robust and vandal-resistant.
- Suitable for high traffic facilities.
- Model suitable for public use.
- It generally goes along with a soap dispenser and paper waste receptacle stainless steel AISI 304 satin finish, complemented by a warm air hand dryer.



**Components and Materials**

- Stainless steel AISI 304 perfectly welded body, 0,8 mm thick, satin finish. It is mounted on the wall by means of 4 wood screws with their corresponding 5 mm wall plugs. The support of the screws in the back of the appliance are acting as an anti-moisture support, as well as allowing an easy adjustment to the wall. The slots in the inside of the body avoid the screws damaging the paper towels. The opening presents edged borders in order to avoid tearing of paper towels.
- Stainless steel AISI 304 seamless one-piece lid, 0,8 mm thick, satin finish. Fixed to the body by means of 2 rivets. It includes a lock with standard mediclinics® key, that allows swinging down of lid for replenishment.
- A frontal window indicates refill time.



Dim.: ±4%

**Technical Specifications**

Dimensions - 330x 275x 133 mm
Recommended installation height - 130-160 cm a punto inferior
Towels - 100x 260 mm maximum
C-fold towel capacity - 400 u
Multifold (Z-fold) towels capacity - 600 u
Weight (empty dispenser) - 1,8 Kg

**Operation**

Pull the towel until it detaches from the appliance. Repeat the action, at your own convenience.

**Certificates & Qualifications**

ISO 9001:2008.

**Specifications**

Surface mounted paper towel dispenser, should be made of stainless steel AISI 304 satin finish. The body should be made of stainless steel AISI 304 satin finish, perfectly welded, 0,8 mm thick, fully sealed. The support of the screws should act as an anti-moisture support, as well as slots to avoid the screws damaging the paper towels and permit the easy adjustment to the wall. It should be suitable to be mounted on the wall by means of 4 wood screws with their corresponding 5 mm wall plugs. The opening should present edged borders in order to avoid tearing of paper towels. The lid should be made of stainless steel AISI 304 satin finish one-piece seamless, 0,8 mm thick and fixed to the body by means of 2 rivets. It includes a lock with standard mediclinics® key, that allows swinging down of lid for replenishment. The appliance should have a frontal window to indicate refill time. Overall dimensions shall be 330 x 275 x 133 mm.

Paper towel dispenser shall be model DT0106CS, stainless steel AISI 304 satin finish, manufactured by Mediclinics S.A., C/ Industria 54, E-08025 Barcelona, Spain.

Mediclinics, S.A., reserves the right to make changes and/or modifications to the products and their specifications without prior notice.

mediclinics S.A

